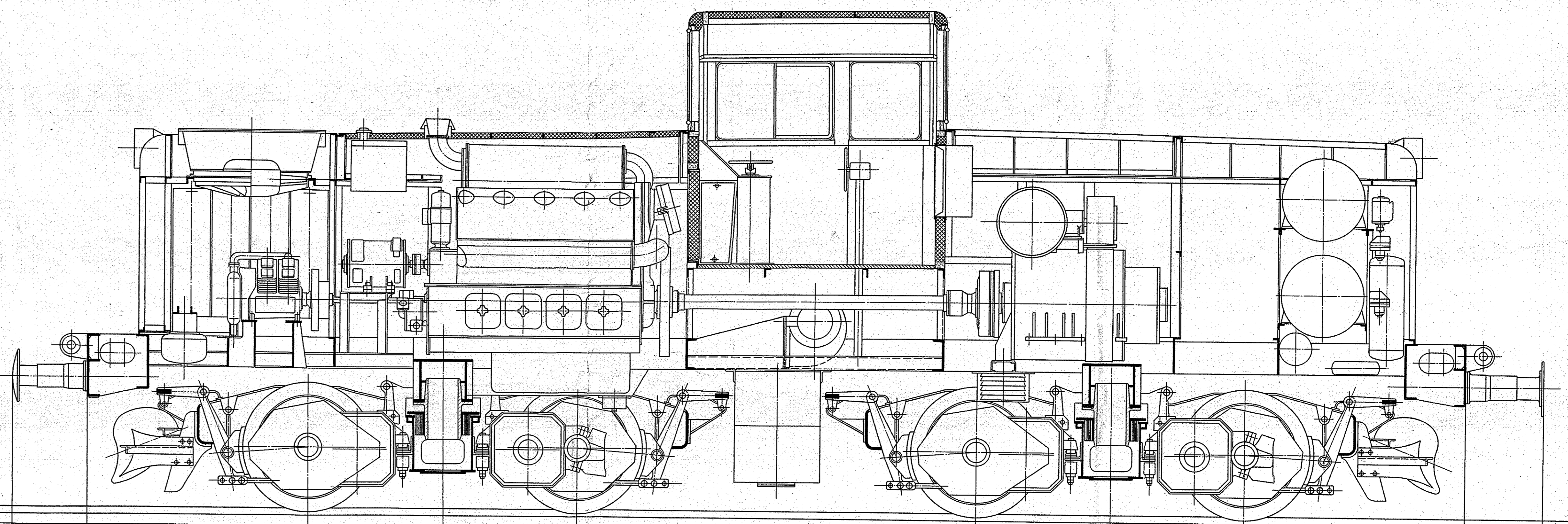
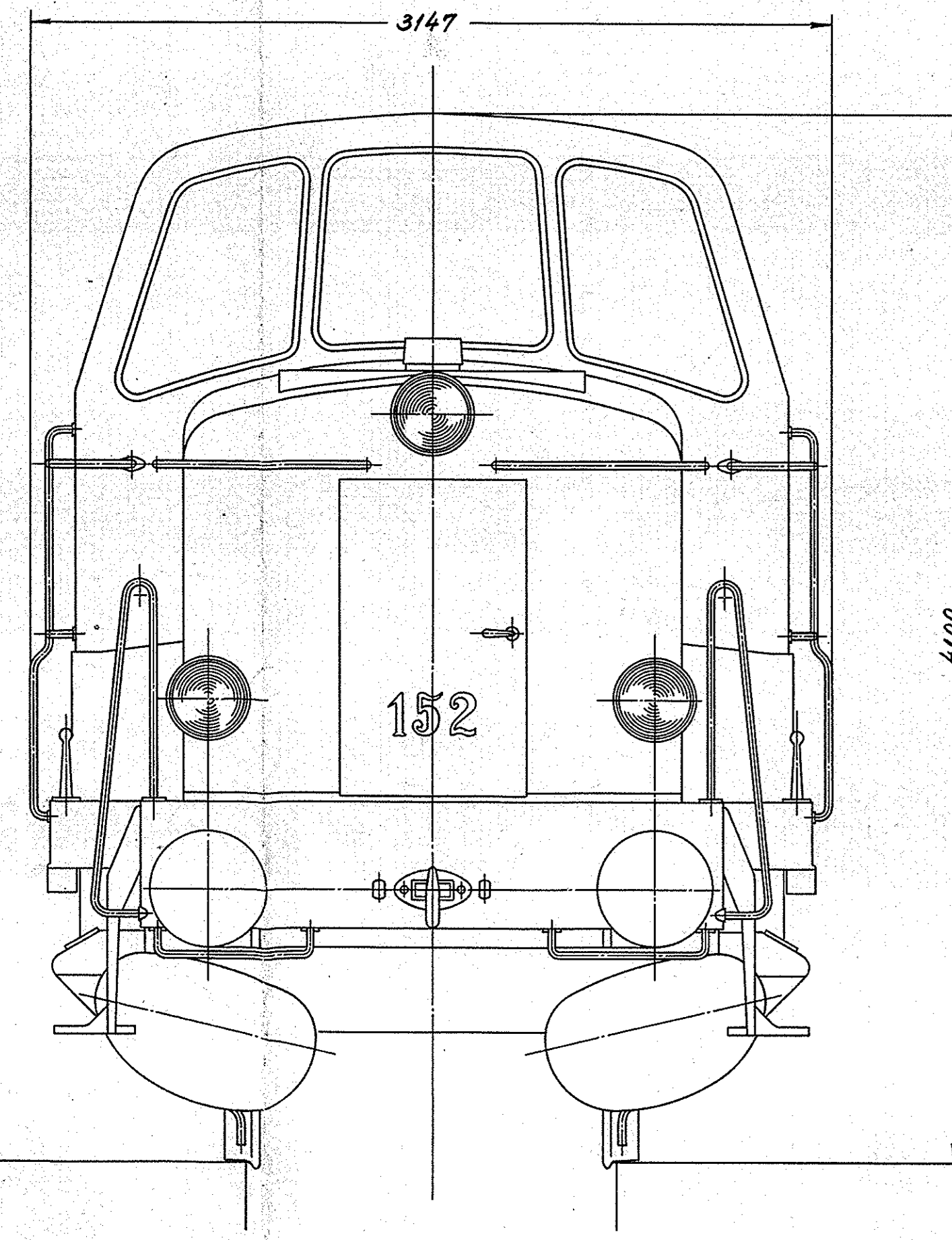


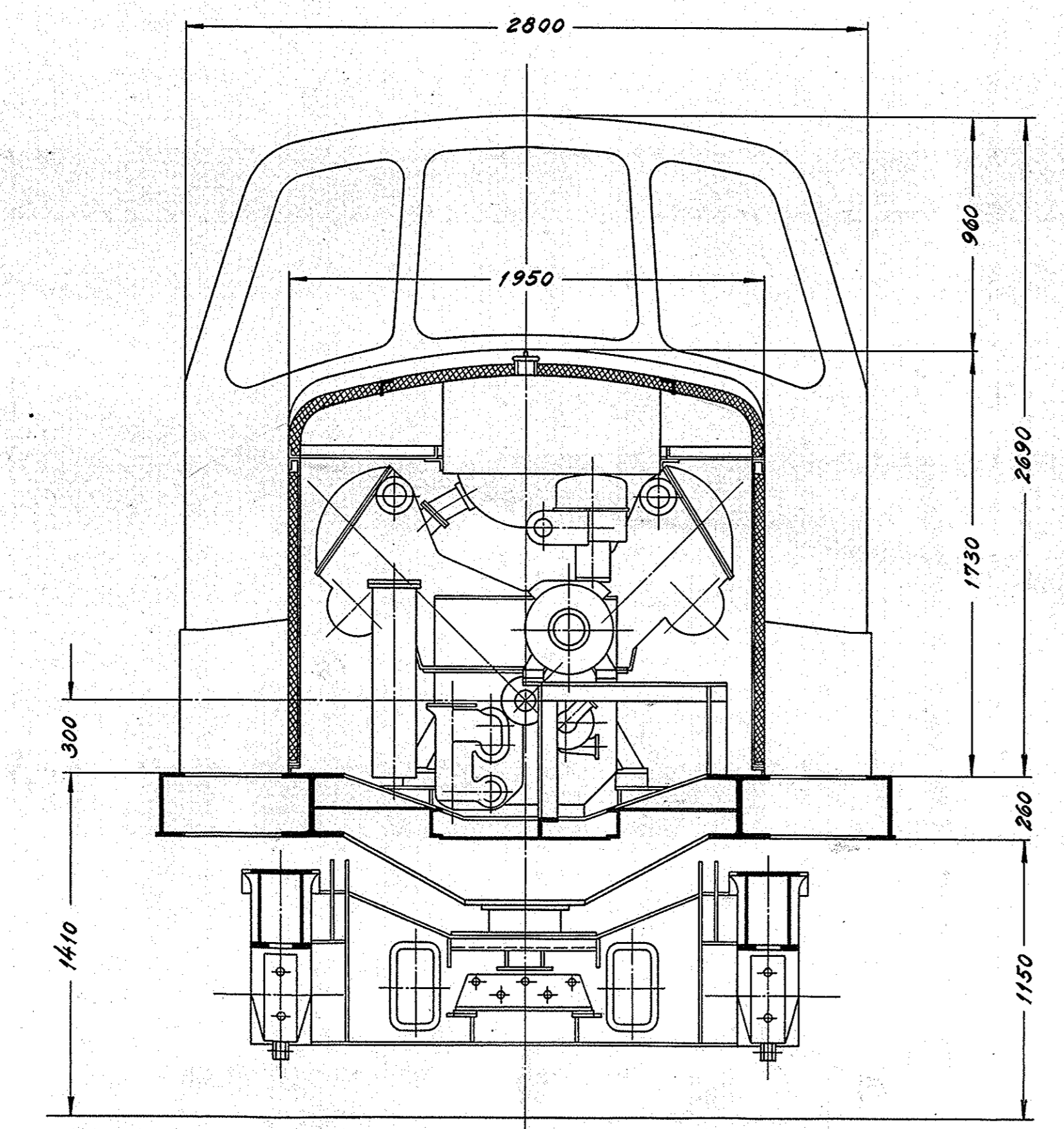
3520 5450 12490 3520



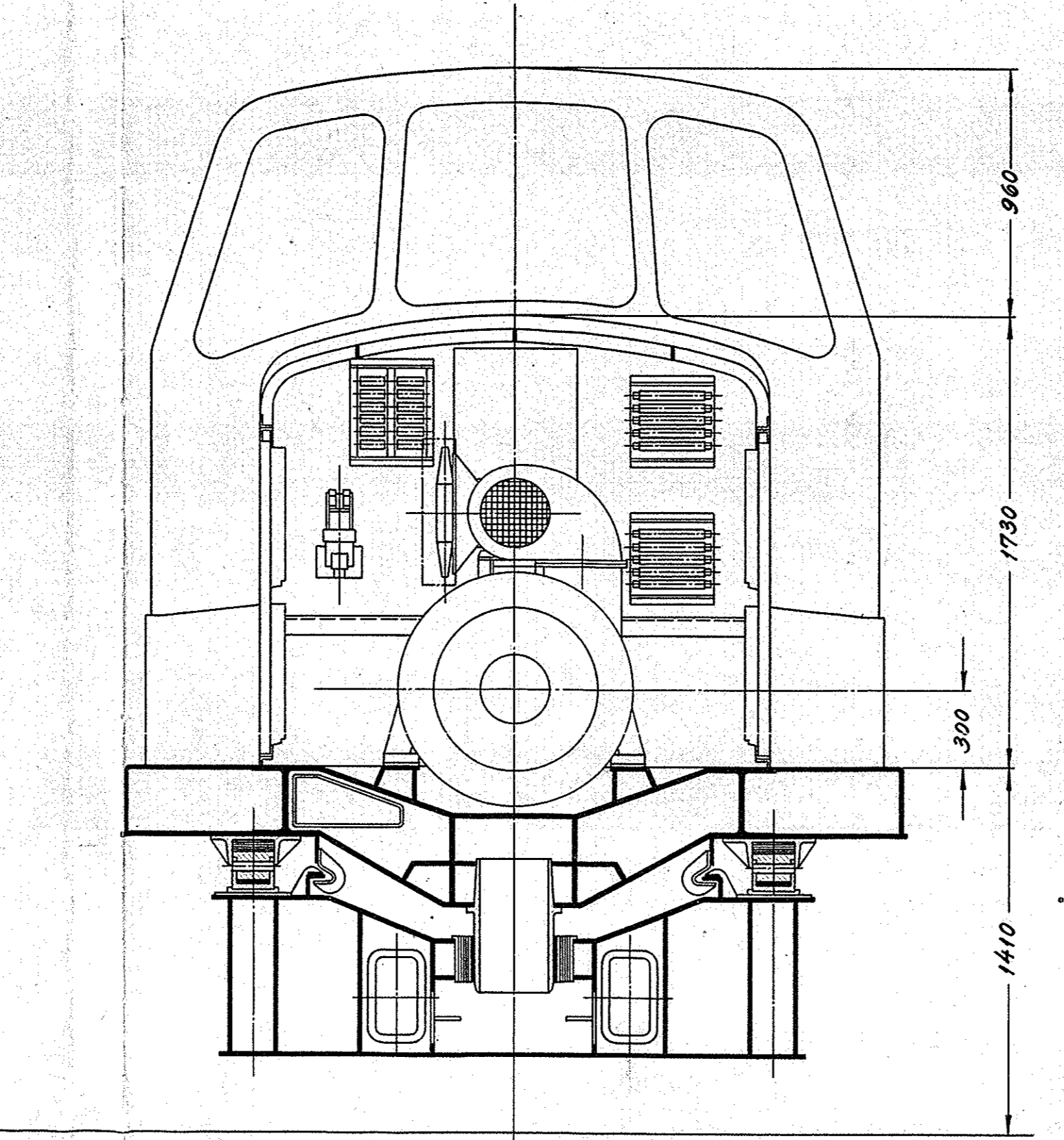
620 1800 1100 1100 3250 1100 1100 1800 620  
2420 7650 2420



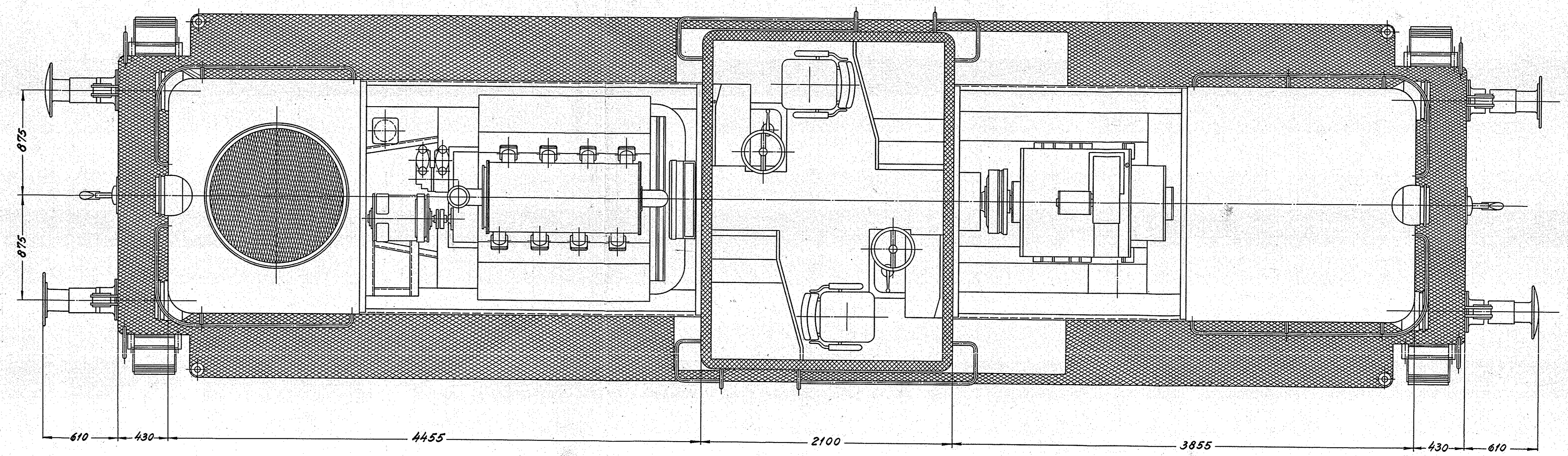
3147 4100 152



2800 1950 960 2690 1730 300 260 1410 1150



960 1730 300 1410



610 430 4455 2100 3855 430 610

|                                  |          |      |        |           |             |
|----------------------------------|----------|------|--------|-----------|-------------|
| Zeichn. E. L.                    | Rev.     | Bl.  | ZL     | Material: | 1:20        |
| Titel: M.L. 7-5-58, Norm.        |          | Dat. | 4-3-58 |           |             |
| Dato                             | Revisjon |      |        |           |             |
| FRICHS                           |          |      |        |           |             |
| Diesel-el. 425 hkrangerlokomotiv |          |      |        |           |             |
| Samlingstegning.                 |          |      |        |           | 307L-1.020. |